



PANGEN[®] INDUSTRIAL AUTOMATION SYSTEM
WARRANTY

WARRANTY GUIDE

PROGRAM OUTLINE

TABLE OF CONTENTS:

<u>MATERIALS</u>	<u>PAGE #</u>
Program Outline	2
• Table of Contents	
Warranty Information	3
• Introduction & Installation Locations	
• Filing Warranty Claim	
Appendix A, System Warranty Documentation Requirements	
• Documentation requirements for the Warranty Registration process	4 - 6
Appendix B, Definitions	
• Definition of specific terms or phrases used throughout the PanGen Industrial Automation System Warranty Program	7 - 9
Appendix C, Commercial Building Telecommunications Cabling Standards & Telecommunications Infrastructure Standards for Industrial Premise	
• List of internationally and regionally recognized standards	10-11
Appendix D, System Warranty Claim Form	
• Blank form used for submitting a warranty claim	12

WARRANTY INFORMATION

Introduction

The PanGen® Industrial Automation System Warranty provides customers with the confidence and security of knowing that their Industrial Automation cabling system will deliver the performance they expect to meet their long term networking needs.

The program offers a 25-year standards based performance warranty that applies to all registered links and/or channels in an installation. The program guarantees that these registered links and/or channels will meet minimum performance requirements as specified in the Commercial Building Telecommunications Cabling Standards and the Telecommunications Infrastructure Standard for Industrial Premises, which are listed on Appendix C of this Warranty Guide. With this baseline of performance, customers are assured that their Industrial Automation cabling system will support current and future networking applications designed to run on their cabling system.

If these registered links and/or channels fail to meet the specified performance requirements, the warranty covers the repair or replacement of defective connectivity hardware and/or cable, including the cost of the labor associated with this repair or replacement per the terms of the warranty.

In addition, the program provides one point of contact for system issues, simplifying issue resolution. For customers, the one point of contact is their original Panduit ONESM Industrial Automation Infrastructure Deployment Partner.

Requirements of the program include verified compliance with design, installation, operation, and maintenance practices as well as test, labeling and administration procedures as specified in the Commercial Building Telecommunications Cabling Standards and the Telecommunications Infrastructure for Industrial Premises Standards. These requirements help ensure that all links and/or channels will support expected performance requirements and help facilitate easy moves, adds, and changes, decreasing customers' overall cost of ownership over time.

Installation Locations

The PanGen® Industrial Automation System Warranty is only applicable for industrial premises applications and is not authorized for residential (personal, family or household) applications. The warranty is immediately void for any structured cabling system which is found to be installed in a residential application.

Filing Warranty Claim

Use the PanGen® Industrial Automation System Warranty Claim Form (Appendix D) if you experience problems and believe the Panduit IA connectivity hardware and/or General Cable IA cable are the cause. You must notify Panduit within 10 business days of the original problem.

APPENDIX A --SYSTEM WARRANTY DOCUMENTATION REQUIREMENTS

In order for the structured cabling system or additional links and/or channels to be eligible for warranty coverage the following documentation must be submitted by the installer to Panduit:

Requirements	Typical format or additional explanation of information to be submitted
<p>All test reports</p> <p>A certified passing test report for each link and/or channel must be submitted to and received by Panduit Corp. prior to the date the warranty is issued.</p> <p><u>Each certified test report must clearly indicate:</u></p> <ol style="list-style-type: none"> 1. Date the test was conducted. 2. For fiber installations, a passing test report for each reference cord must be submitted in accordance with the requirements set forth on Exhibit 1 to this Appendix A. See “Testing Requirements for Fiber Links” on Exhibit 1 of this Appendix A. 3. The designated link and/or channel performance level (i.e. Category 3, Class D, Category 5e, Class E, Category 6, Class EA, Category 6A) and the link configuration (permanent link or channel). 4. A link identifier in compliance of ANSI-TIA-606-B and ISO-IEC 14763-2-1. 5. A “PASS” or “*PASS” test result for the overall test requirements specified in the Commercial Building Telecommunications Cabling Standards and the Telecommunications Infrastructure Standards for Industrial Premises for each designated link and/or channel classification. 6. For fiber installations only, no Negative loss values will be accepted as a “PASS” test result. 7. The installation project name. 8. The test equipment manufacturer, test equipment model, test equipment and test equipment test cord adapter part number. <p>Any link and/or channel, which is not identified in a certified passing test report, is not covered by this warranty.</p>	<p>A certified passing test report is one that has been verified by the Partner.</p> <p>Test reports generated by standard field test equipment must list all necessary performance results as specified in the Commercial Building Telecommunications Cabling Standards and the Telecommunications Infrastructure Standards for Industrial Premises for the designated link and/or channel performance level (i.e. Category 3, Class D, Category 5e, Class E, Category 6, Class EA, Category 6A).</p> <ul style="list-style-type: none"> • All information must be uploaded to The Hub and come in the field tester manufacturers’ standard file format. Please contact the Panduit Warranty Program Manager if you are unsure of the correct file format. • Each test report must contain a clear distinct designated link or channel classification (i.e. Cat 5e Permanent Link, Cat 5e Channel, Cat 6 Permanent Link, Cat 6 Channel, Cat 6A Permanent Link, Cat 6A Channel, Multimode, Singlemode). No alternate or added descriptions. An “*” (asterisk) i.e. *Pass preceding a passing test result can be considered acceptable as long as it meets minimum compliance to the cabling standards. • Each optical fiber link test report must include both <u>link loss</u> and <u>length</u> in order to verify compliance to the cabling standards.

APPENDIX A --SYSTEM WARRANTY DOCUMENTATION REQUIREMENTS

Reference Information –

- Must show the designated standard classification for each link and/or channel and the specific component and cable part numbers used for the link and/or channel.
Note: To qualify for the Certification PlusSM PanGen® Industrial Automation Infrastructure System Warranty, each registered cable link and/or channel must be 100% constructed of Panduit IA connectivity hardware and General Cable IA cable.
- Must include the link identifier used to show the equipment outlet and equipment rooms patch panel port in the as-built submitted floor plans and the link identifier marked on each corresponding equipment outlet, equipment rooms jack and/or patch panel which correspond to the particular link identifier (circuit ID) on the test report.
- Must indicate the identification of the building (for campuses), floor, room, outlet, and port number for the equipment outlet. For the equipment rooms, the reference should indicate identification of the equipment room, patch panel, and port number of the patch panel.
- Must assess the MICE (Mechanical, Ingress, Climatic/Chemical, Electromagnetic) environment of the installation, and verify that the components used are rated for the application environment. (Reference ANSI/TIA-1005 Telecommunications Infrastructure Standard for Industrial Premises.)

Floor plans –

- Must indicate locations and reference information for all work area outlets and all telecommunication closets.
- Must indicate building address, floor number(s), and locations within the floor and directions arrows (North, South).
- Must include a legend box, which shows the designated standard classification for each link and/or channel and the specific component and cable part numbers used for the link and/or channel.
- All work area outlets and telecommunication closets must be shown or referenced on each floor.
- Designated standard classification for each link and/or channel and the specific component and cable part numbers used for the link and/or channel can be submitted as a separate attachment.

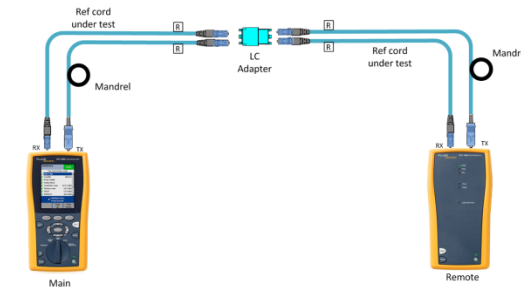
APPENDIX A --SYSTEM WARRANTY DOCUMENTATION REQUIREMENTS

EXHIBIT 1 -Testing Requirements for Fiber Links

1. Reference utilizing method B (One Jumper Reference). Note: RX test head on test units shown as LC.



2. After referencing (Results between -22dB and -24dB for MM and -6dB and -8dB for SM). Add LC to LC reference cords and test them to ensure they are less than or equal to 0.15dB standard for IL for MM and 0.25dB or less for SM). Save the test result as Ref 1, Ref 2. If you re-reference for any reason, re-save the values as Ref 3, Ref 4...etc...until testing is complete.



APPENDIX B – DEFINITIONS AND TERMINOLOGY

AUTOMATION ISLAND AREA	Area containing machines, processes and supporting cabling for industrial control and process monitoring.
CABLE or IA CABLE	An assembly of one or more conductors or optical fibers within an enveloping sheath, constructed so as to permit use of the conductors singly or in groups, which are specified for use in industrial automation environments. The Commercial Building Telecommunications Cabling Standards and the Telecommunications Infrastructure Standards for Industrial Premises must approve them.
COMMERCIAL BUILDING TELECOMMUNICATIONS CABLING STANDARDS	Commercial building telecommunication wiring standards that are used to design, install and test structured cabling systems. Refer to Appendix C for a complete list of standards Groups (1, 2, 3, etc.) that can be used with this program.
CONNECTIVITY HARDWARE OR IA CONNECTIVITY HARDWARE	Passive copper and optical fiber connectors and adapters, patch cords, modules, patch panels, cable management, and related mounting hardware, which are specified for use in industrial automation environments.
CUSTOMER	The company, which has hired the installation company to install the structured cabling system. If approved, Panduit will issue the PanGen® Industrial Automation System Warranty directly to the Customer.
DESIGNATED LINK AND/OR CHANNEL CLASSIFICATION	The link and/or channel category or classification defined in the applicable Commercial Building Telecommunications Cabling Standards and the Telecommunications Infrastructure Standards for Industrial Premises used to indicate the link and/or channel’s minimum performance. A link and/or channel category or classification must be verified through a passing test report.
EQUIPMENT ROOM	A centralized space for industrial control equipment with associated telecommunications equipment and cabling.
PANDUIT INDUSTRIAL AUTOMATION INFRASTRUCTURE DEPLOYMENT PARTNER or “PARTNER”	A structured cabling system installation company that meets the requirements of and is registered and approved by Panduit as either a Panduit Industrial Automation Infrastructure Partner accredited in the Deploy Competency in the Panduit ONE SM Partner Program and is authorized to submit installations to Panduit for a PanGen® Industrial Automation Infrastructure Certification Plus SM System Warranty.
PANDUIT INDUSTRIAL AUTOMATION INFRASTRUCTURE CERTIFIED TECHNICIAN	A technician employed by the Partner on a full-time basis who has passed the required training courses and who has a current Partner Employee Training Certificate for Industrial Automation Infrastructure that has not expired or has not been suspended.
STRUCTURED CABLING SYSTEM	A group of links.

APPENDIX B – DEFINITIONS AND TERMINOLOGY

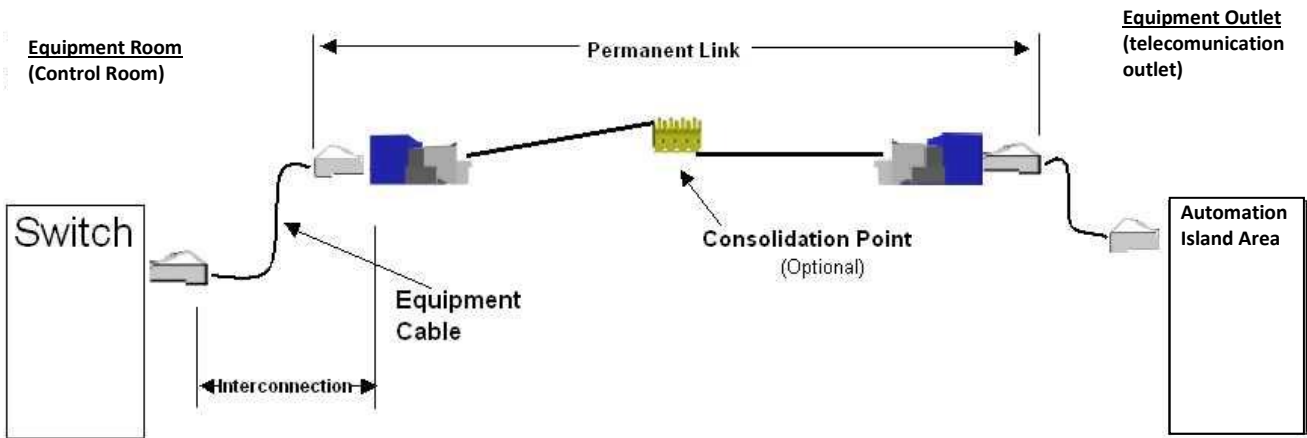
TELECOMMUNICATIONS OUTLET (EQUIPMENT)

An assembly of components consisting of one or more connectors mounted on a faceplate, housing or supporting bracket.

PERMANENT LINK

A horizontal link which includes cable, a telecommunication work area outlet/connector, an optional transition connection close to the work area, and a single horizontal cross-connect connection in the telecommunication closet.

Interconnection



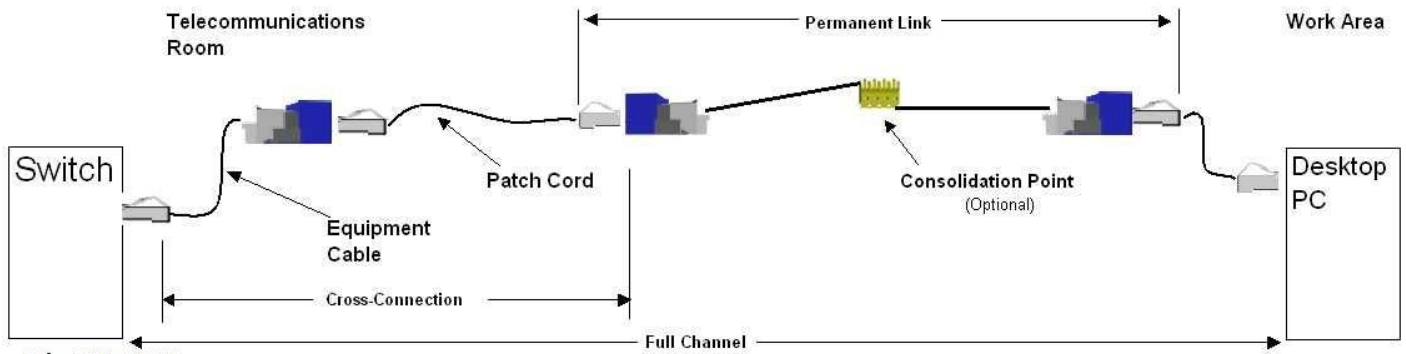
Refer to TIA/EIA-568-B.1 Section 7.4

COPPER CHANNEL

A horizontal link which includes cable, work area equipment cord, a telecommunication work area outlet/connector, an optional transition connection close to the work area, and two cross-connect connections in the telecommunication closet. See Cross-Connection diagram below.

APPENDIX B – DEFINITIONS AND TERMINOLOGY

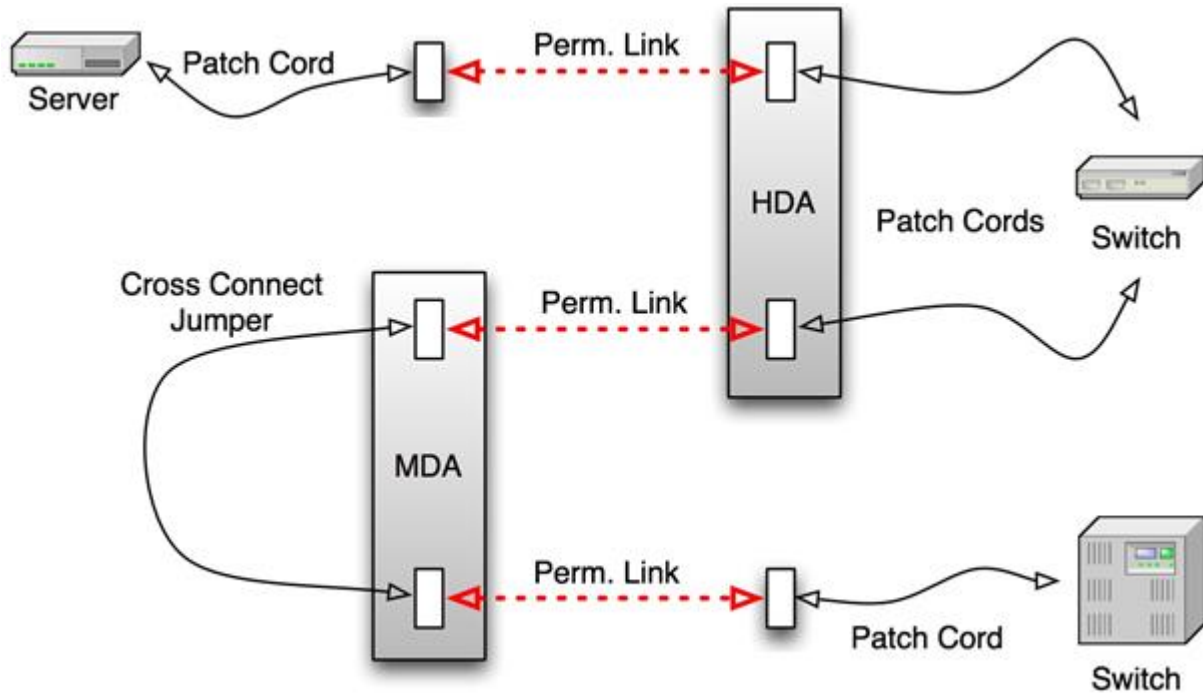
Cross-connection



Refer to TIA-568-C.1
Section 9, Figure 7

APPENDIX B – DEFINITIONS AND TERMINOLOGY

FIBER LINK - ISO/IEC and TIA standards define a Link as the permanent fiber cabling infrastructure over which the active equipment must communicate. This does not include equipment patch cords to connect the active network devices in equipment distribution areas or the patch cords in the cross connect patch areas (see dashed lines in figure below).

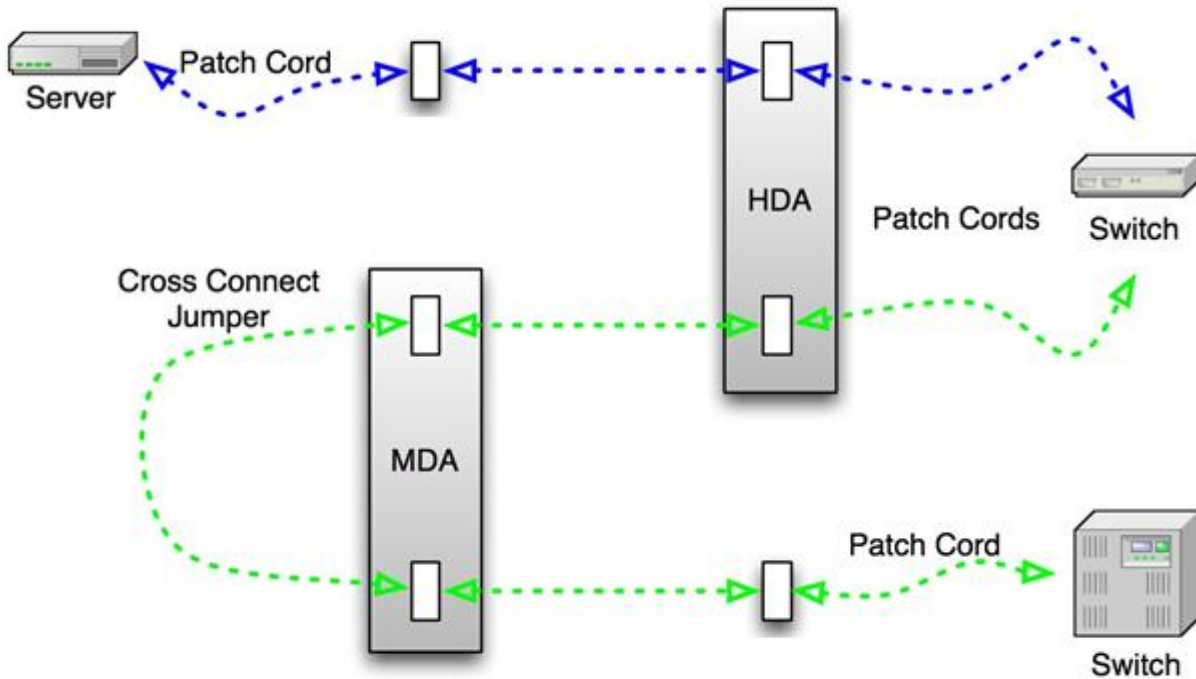


ISO/IEC and TIA standards define Link testing to verify the performance of the fixed (permanent) segments of installed cabling as accurately as possible.

Completion of this testing provides assurance that permanent links that pass standards-based (or application-based) limits can reliably be configured into a passing Channel by adding good quality patch cords.

APPENDIX B – DEFINITIONS AND TERMINOLOGY

FIBER CHANNEL - ISO/IEC and TIA standards define the Channel as the completed fiber structured cabling over which the active equipment must communicate. This end-to-end link includes equipment patch cords to connect the active network devices in equipment distribution areas (typically switch to switch or switch to host), and the patch cords in the cross connect patch (optional and located in the HDA and/or MDA). See dashed lines in figure below.



Ultimately, network functionality and signal integrity relies on the performance of the Channel (the completed end-to-end link). Installation and test personnel do not typically measure end-to-end loss of the complete Channel with all EDA cords and cross connect cables in place.

Equipment cords and cross connect cables are generally installed after the “permanent” cabling installation has been completed and tested, and then are subject to Moves, Adds and Changes (MACs) throughout the cabling system’s lifetime. It is therefore compulsory to certify that the permanent segments of cabling infrastructure meets performance level defined by standards to assure adequate system headroom when MACs are performed are by IT personnel at a later date.

APPENDIX C

COMMERCIAL BUILDING TELECOMMUNICATIONS CABLING STANDARDS AND INDUSTRIAL TELECOMMUNICATIONS CABLING STANDARD FOR INDUSTRIAL PREMISES

To be eligible for the PanGen Industrial Automation System Warranty the following standards (and their subsequent revisions) must be used for the design, installation and maintenance of the structured cabling system.

Group 1 - North America and Other International Regions –

- 1) ANSI/TIA-568-C.0-2, Generic Telecommunications Cabling for Customer Premises August, 2012
- 2) TIA-568-C.1-1, Commercial Building Telecommunications Cabling Standard, May, 2012
- 3) TIA-568-C.2, Balanced Twisted-Pair Telecommunications Cabling and Components Standards, August, 2009
- 4) ANSI/TIA-568-C.3-1, Optical Fiber Cabling Components Standard, December, 2011.
- 5) TIA-569-C-1, Commercial Building Standard for Telecommunications Pathways and Spaces, February, 2013.
- 6) TIA-606-B, Administration Standard for Commercial Telecommunications Infrastructure, June, 2012

Group 2 – ISO/IEC Europe and Other International Regions –

- 1) ISO/IEC 11801 ed2.2 Consol. with am1&2 (2011-06)
- 2) ISO/IEC 14763-2-2012 implementation and operation of customer premises cabling – Part 2: Planning and installation.

Group 3 – AS/NZS Australia and New Zealand –

- 1) AS/NZS 3080:2013 Information technology - Generic cabling for customer premises (ISO/IEC 11801:2011, MOD)
- 2) AS/NZS 3084:2003/Amtd 1:2007 Telecommunications installations - Telecommunications pathways and spaces for commercial buildings (ISO/IEC 18010:2002, MOD)
- 3) AS/NZS 3085.1:2004 Telecommunications installations - Administration of communications cabling systems - Basic requirements
- 4) AS/NZS ISO/IEC 14763.3:2012 Telecommunications installations - Implementation and operation of customer premises cabling - Testing of optical fibre cabling (ISO/IEC 14763-3:2011, MOD)
- 5) AS/NZS IEC 61935.1:2012 Specification for the testing of balanced and coaxial information technology cabling - Installed balanced cabling as specified in ISO/IEC 11801 and related standards (IEC 61935-1, Ed.3.0 (2009) MOD)

APPENDIX C

COMMERCIAL BUILDING TELECOMMUNICATIONS CABLING STANDARDS AND INDUSTRIAL TELECOMMUNICATIONS CABLING STANDARD FOR INDUSTRIAL PREMISES

SUPPORT DOCUMENTATION

- 1) BICSI Telecommunications Distribution Methods Manual
- 2) National Electric Code (NEC (NFPA 70)
- 3) National Electric Safety Code (NESC)

Note:

- The use of any other standards other than those listed above must be reviewed and pre-approved by Panduit.
- In the event that a conflict arises as to which standards group was used for the design, installation and maintenance of the structured cabling system, the Group 1 standards shall be the controlling standard.

APPENDIX D --- WARRANTY CLAIM FORM

Claim Date: _____

Warranty Registration #: _____

Installation Date: _____

Claim Initiator: _____

Initiator's Phone #: _____

(Name of individual submitting the claim form)

Claim Initiator Company: _____

Initiator's Fax #: _____

INSTALLER

Company Name: _____

Address _____

City: _____ State: _____ Postal Code: _____

Contact Name: _____ Title: _____

Phone: _____ Fax: _____

CUSTOMER

Company Name: _____

Address _____

City: _____ State: _____ Postal Code: _____

Contact First Name: _____ Contact Last Name: _____ Title: _____

Phone: _____ Fax: _____

Please include a brief explanation of the system problem and the reason why you believe the problem is caused by Panduit connectivity hardware and/or the General Cable cable:

Comments: _____

E-mail the completed form with an explanation to:

Warranty@panduit.com